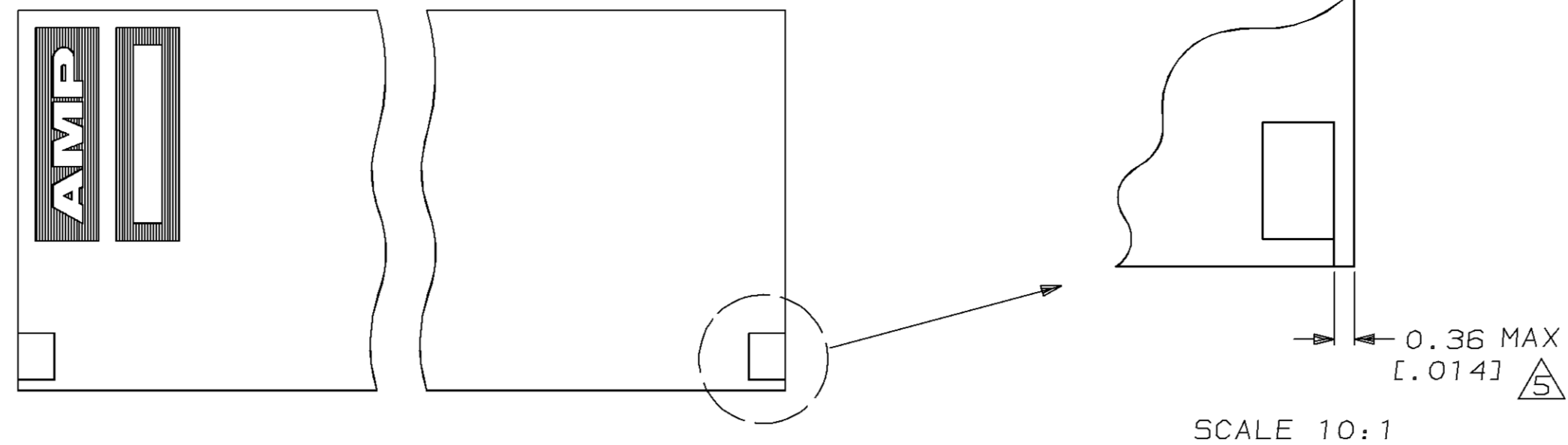
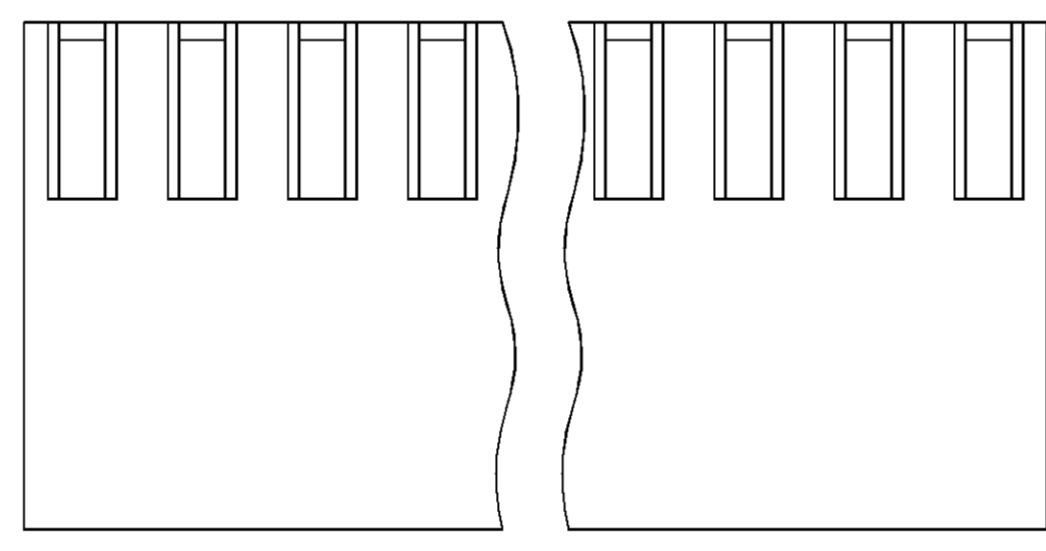
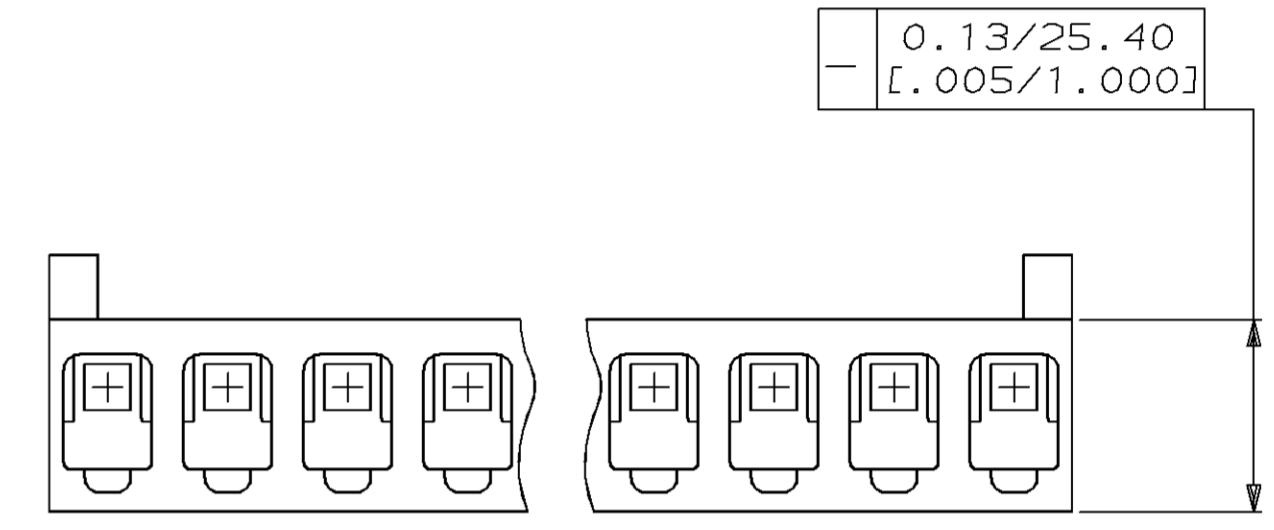
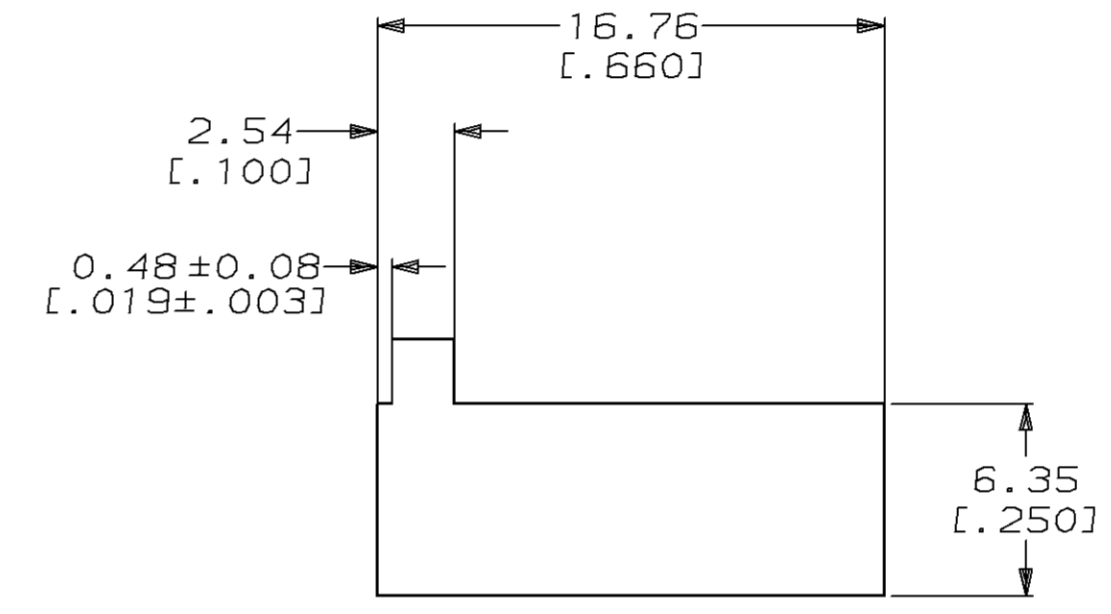
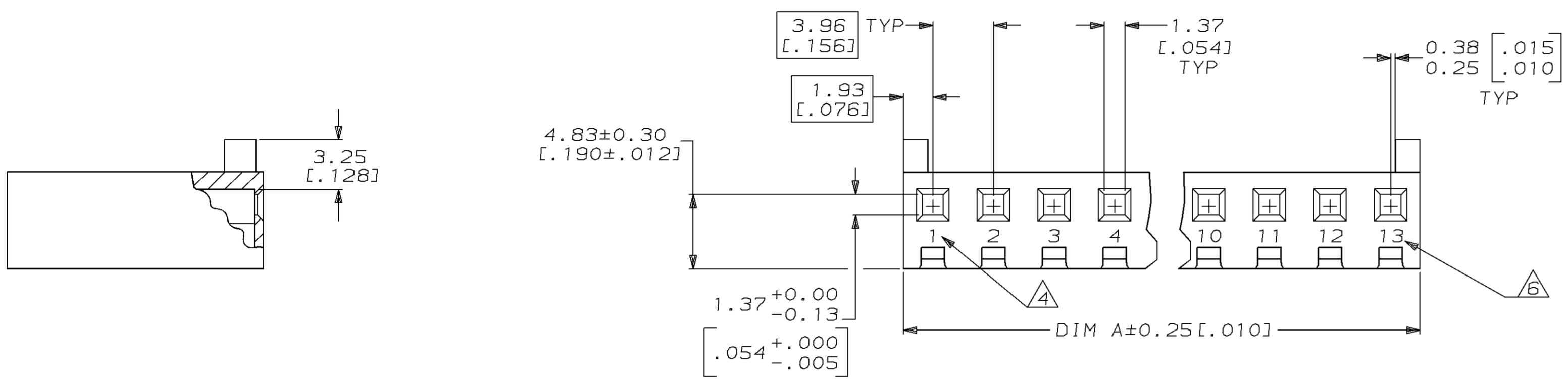


LOC		DIST		P		F		ZONE		LTR		REVISIONS		DATE	APPD
CM	54												RLSD -8 PER EC 0730-0191-94	9-27-94	RV

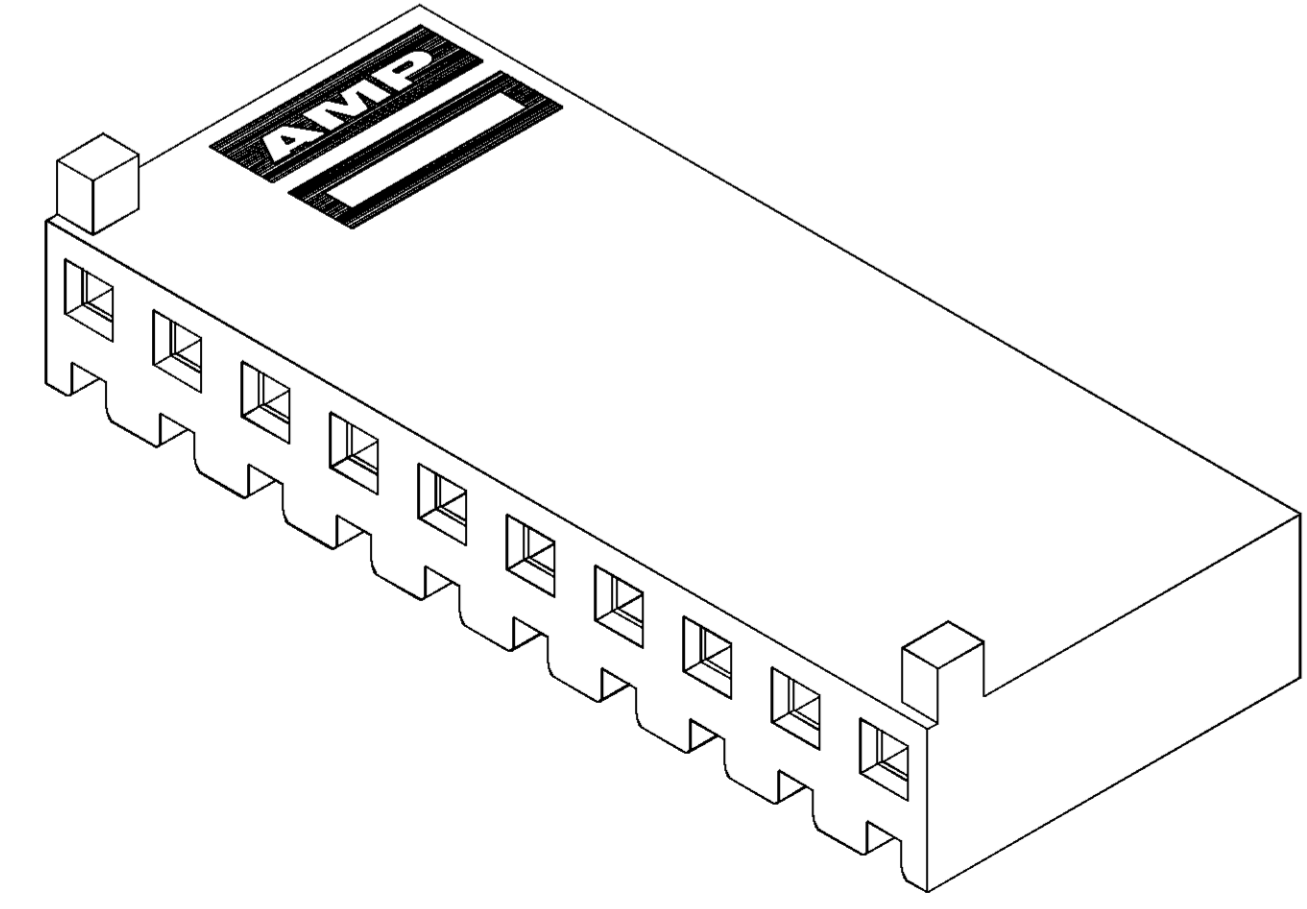


- UNIT ACCEPTS A 1.14[.045] SQUARE OR ROUND POST.
- UNIT ACCEPTS STANDARD SL-156 CONTACTS.
- UNIT ACCEPTS KEYING PLUG 640254-1 AND KEYING PIN 640255-1.
- IDENTIFICATION NUMBER FOR ALL POSITIONS, OR FOR POSITION 1 ONLY, WILL BE LOCATED AS SHOWN.
- OPTIONAL CONSTRUCTION, BOTH ENDS.
- LAST CIRCUIT IDENTIFICATION IS OPTIONAL.
- DIMENSIONS IN BRACKETS ARE IN INCHES.



59.44 [2.340]	15	1-770996-5
51.49 [2.027]	13	1-770996-3
47.52 [1.871]	12	1-770996-2
31.62 [1.245]	8	770996-8
19.74 [0.777]	5	770996-5
DIM A	NO OF POSN	PART NUMBER

1-770996-3 SHOWN



3-DIMENSIONAL MODEL
NTS

DO NOT SCALE PRINT. UNLESS SPECIFIED DIMENSIONS IN mm [INCHES] TOLERANCES ON:		DR 7-30-92 K. SALMON		PART NO	
1 2 3	PLC DEC ± - ± -	CHK 7-30-92 R. SWING		AMP AMP Incorporated Harrisburg, PA 17105-3608	
4	ANGLES ± -	APPD 8-3-92 E. BEILES		NAME	
MATERIAL	NYLON, UL 94V-0 NATURAL	APPD 8-3-92 E. BEILES		HOUSING WITHOUT LOCKING RAMP AND WITH POLARIZING TABS, SL-156	
FINISH	-	PRODUCT SPEC		SIZE	CAGE CODE
		APPLICATION SPEC		D	00779
		WEIGHT		SCALE	4:1
				DRAWING NO	770996
				SHEET	1 OF 1

